

# Collection JUMPER

rochebobois  
PARIS

design Wolfgang C.R. MEZGER



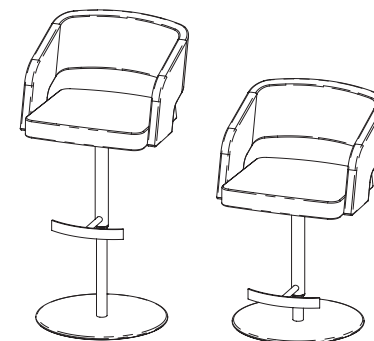
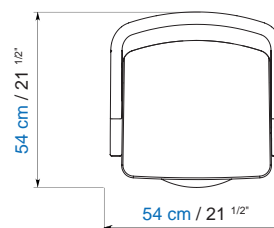
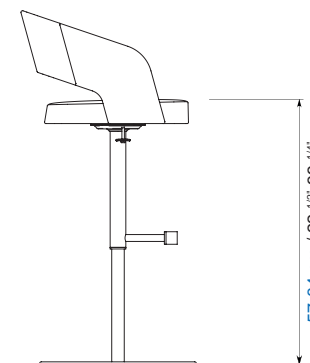
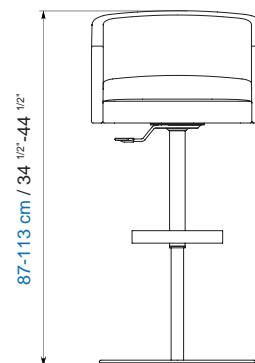
Tabouret - Barstool - Taburete

PO090

# Collection JUMPER

rochebobois  
PARIS

design Wolfgang C.R. MEZGER



## Tabouret:

L54xH87-113xP54xHA57-84cm - L21<sup>1/2</sup> xH34<sup>1/2</sup>-44<sup>1/2</sup> xP21<sup>1/2</sup> xHA22<sup>1/2</sup>-33<sup>1/4</sup>

Tabouret de bar, coque en multiplie de hêtre rembourrée en plusieurs revêtements.

Base ronde, repose-pied à T, finitions metal: chormé, chormé noir, bronze.

## Barstool:

L54xH87-113xP54xHA57-84cm - L21<sup>1/2</sup> xH34<sup>1/2</sup>-44<sup>1/2</sup> xP21<sup>1/2</sup> xHA22<sup>1/2</sup>-33<sup>1/4</sup>

Barstool, beech wood shell, upholstered in several materials.

Round base, T shape footrest, metal finishes: chrome, balck chrome, bronzed brass.

## Taburete:

L54xH87-113xP54xHA57-84cm - L21<sup>1/2</sup> xH34<sup>1/2</sup>-44<sup>1/2</sup> xP21<sup>1/2</sup> xHA22<sup>1/2</sup>-33<sup>1/4</sup>

Taburete, carcasa en haya, tapizada con diferentes materiales.

Base redonda, reposapies en forma de T, acabado del metal: cromado, cromado negro, laton barnizado.

PO090