

Collection PENTAGRAMA

design Cristián Mohaded

rochebobois
PARIS



AC321

Collection PENTAGRAMA

design Cristián Mohaded

rochebobois
PARIS



AC321

Collection PENTAGRAMA

design Cristián Mohaded

rochebobois
PARIS



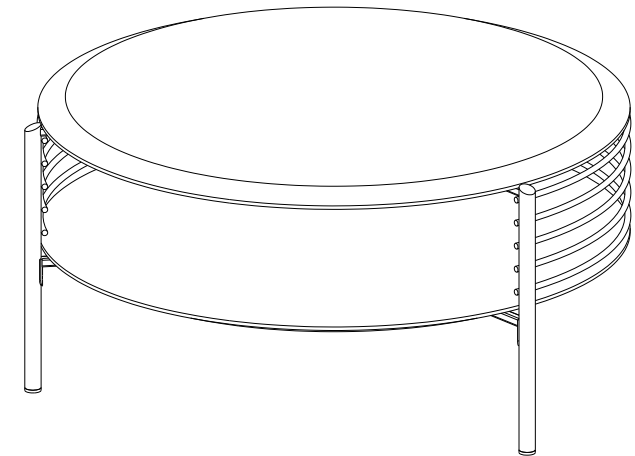
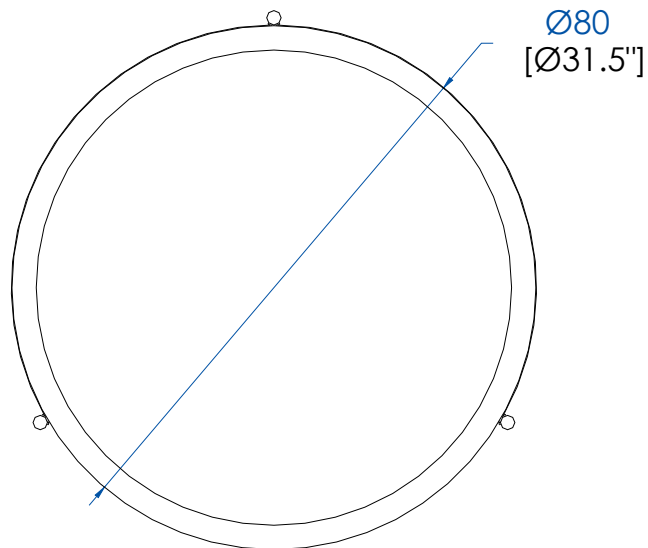
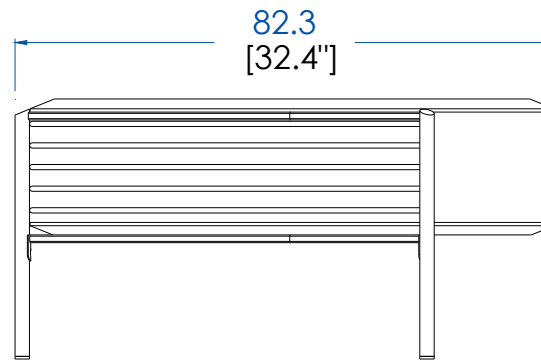
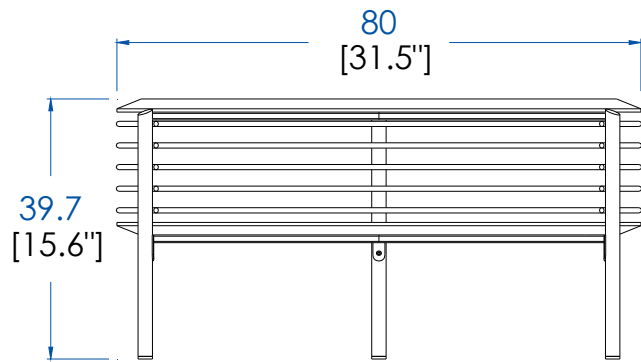
Table basse – Cocktail table – Mesa de centro

AC321

Collection PENTAGRAMA

design Cristián Mohaded

rochebobois
PARIS



CTPG.MC01X - Table basse Ø80 – L 80 H 39.7 P 82.3 cm

Structure acier inox finition Onyx. Plateaux en panneaux de fibres de moyenne densité plaqués Chêne teinté (nombreuses teintes).

CTPG.MC01X - Cocktail table Ø80 – L 31.5" H 15.6" P 32.4"

Stainless steel base with Onyx finish. Tops with beveled edges made of medium-density fiberboard veneered with stained distressed oak (available in many shades).

CTPG.MC01X - Mesa de centro Ø80 – L 80 A 39.7 P 82.3 cm

Patas en acero inoxidable acabado Onyx. Sobre con canto biselado en paneles de fibras de densidad media contrachapado en Roble desfibrado tintado (varias tonalidades).

Collection PENTAGRAMA

design Cristián Mohaded

rochebobois
PARIS



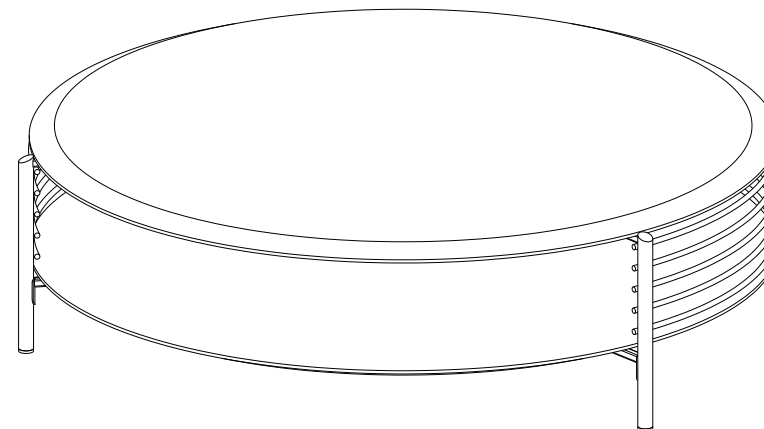
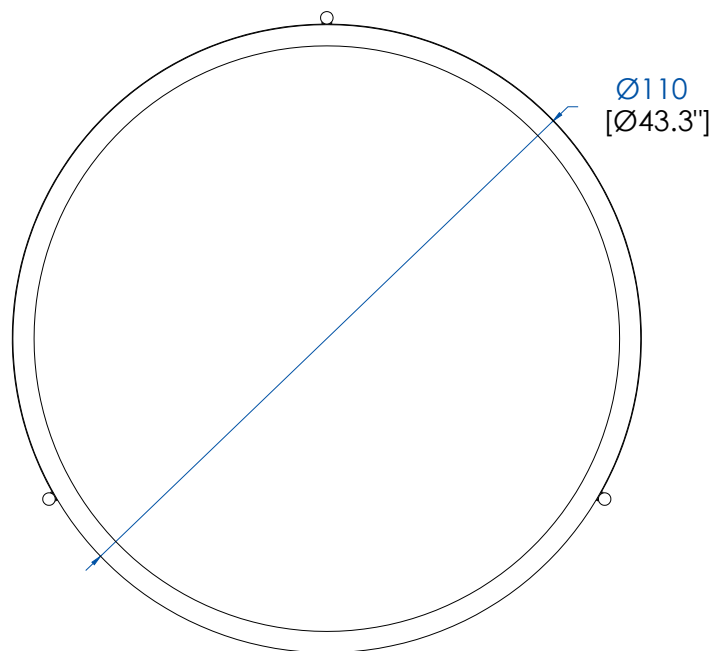
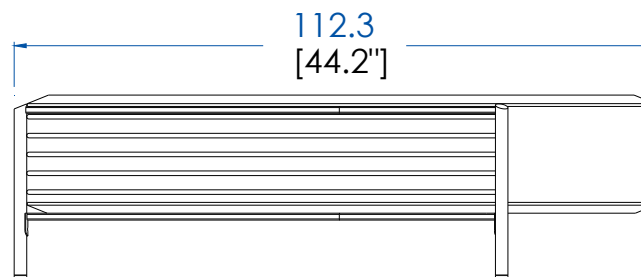
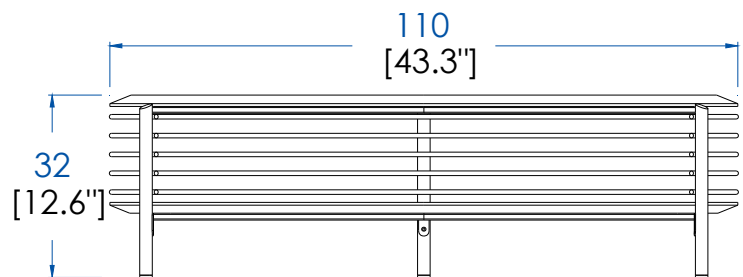
Table basse – Cocktail table – Mesa de centro

AC321

Collection PENTAGRAMA

design Cristián Mohaded

rochebobois
PARIS



CTPG.MC02X - Table basse Ø110 – L 110 H 32 P 112.3 cm

Structure acier inox finition Onyx. Plateaux en panneaux de fibres de moyenne densité plaqués Chêne teinté (nombreuses teintes).

CTPG.MC02X - Cocktail table Ø110 – L 43.3" H 12.6" P 44.2"

Stainless steel base with Onyx finish. Tops with beveled edges made of medium-density fiberboard veneered with stained distressed oak (available in many shades).

CTPG.MC02X - Mesa de centro Ø110 – L 110 A 32 P 112.3 cm

Patas en acero inoxidable acabado Onyx. Sobre con canto biselado en paneles de fibras de densidad media contrachapado en Roble desfibrado tintado (varias tonalidades).

Collection PENTAGRAMA

design Cristián Mohaded

rochebobois
PARIS



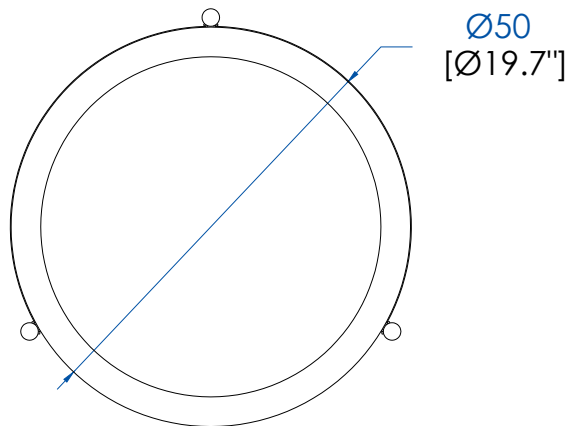
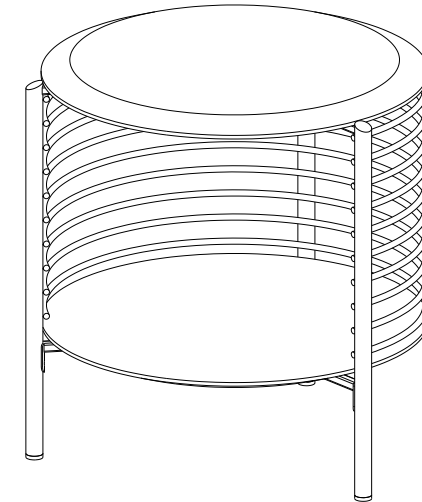
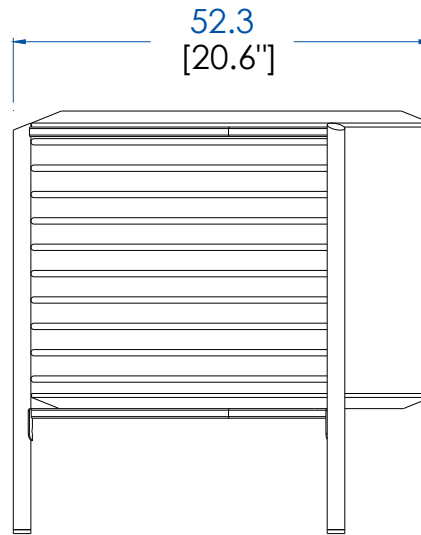
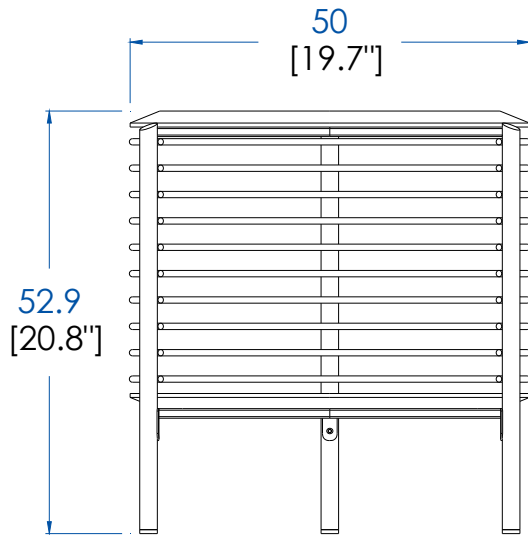
Bout de canapé – End table – Mesa de rincón

AC321

Collection PENTAGRAMA

design Cristián Mohaded

rochebobois
PARIS



CTPG.MA01X - Bout de canapé Ø50 – L 50 H 52.9 P 52.3 cm

Structure acier inox finition Onyx. Plateaux en panneaux de fibres de moyenne densité plaqués Chêne teinté (nombreuses teintes).

CTPG.MA01X - End table Ø50 – L 19.7" H 20.8" P 20.6"

Stainless steel frame with Onyx finish. Tops with beveled edges made of medium-density fiberboard veneered with stained distressed oak (available in many shades).

CTPG.MA01X - Mesa de rincón Ø50 – L 50 A 52.9 P 52.3 cm

Estructura en acero inoxidable acabado Onyx. Sobre en paneles de fibras de densidad media contrachapado en Roble desfibrado tintado (varias tonalidades).