

# MARMO

Design Daniel RODE

**rochebobo**is  
PARIS



# MARMO

Design Daniel RODE

**rochebobo**is  
PARIS



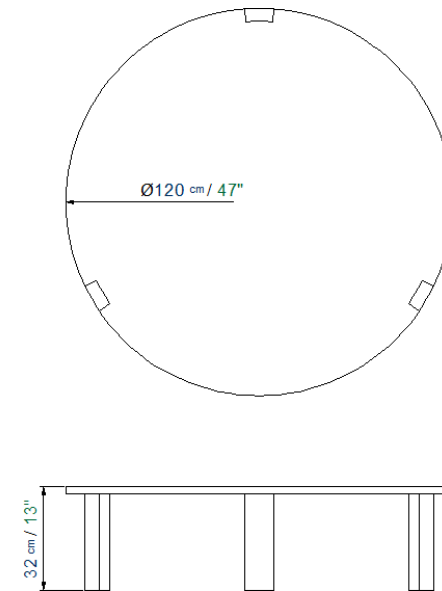
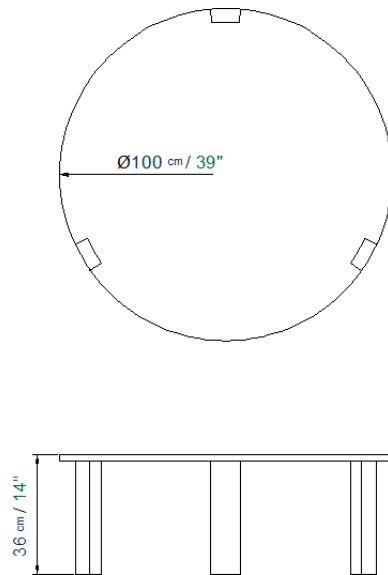
**Table Marbre – Marble Table – Tavolo Marmo – Marmor Tisch – Mesa de Mármol**

EU584

# MARMO

Design Daniel RODE

**rochebobo**  
PARIS



Tables basses entièrement en marbre de Carrare ou Marquinia, finition mat ou brillant.

$\text{Ø} 120 \times \text{H. } 32 \text{ cm} - \text{Ø } 47'' \times \text{H. } 13''$

$\text{Ø} 100 \times \text{H. } 36 \text{ cm} - \text{Ø } 39'' \times \text{H. } 14''$

Low tables entirely in marble of Carrara or Marquinia, mat or shiny finish.

$\text{Ø} 120 \times \text{H. } 32 \text{ cm} - \text{Ø } 47'' \times \text{H. } 13''$

$\text{Ø} 100 \times \text{H. } 36 \text{ cm} - \text{Ø } 39'' \times \text{H. } 14''$

Tavolo basso interamente in marmo di Carrara o Marquinia, finitura opaca o brillante.

$\text{Ø} 120 \times \text{H. } 32 \text{ cm} - \text{Ø } 47'' \times \text{H. } 13''$

$\text{Ø} 100 \times \text{H. } 36 \text{ cm} - \text{Ø } 39'' \times \text{H. } 14''$

Niedrige Tische vollständig in Carrara-Marmor oder Marquinia, matt oder glänzend.

$\text{Ø} 120 \times \text{H. } 32 \text{ cm} - \text{Ø } 47'' \times \text{H. } 13''$

$\text{Ø} 100 \times \text{H. } 36 \text{ cm} - \text{Ø } 39'' \times \text{H. } 14''$

Mesa de centro en su totalidad en mármol de Carrara o Marquinia, mate o brillante.

$\text{Ø} 120 \times \text{H. } 32 \text{ cm} - \text{Ø } 47'' \times \text{H. } 13''$

$\text{Ø} 100 \times \text{H. } 36 \text{ cm} - \text{Ø } 39'' \times \text{H. } 14''$